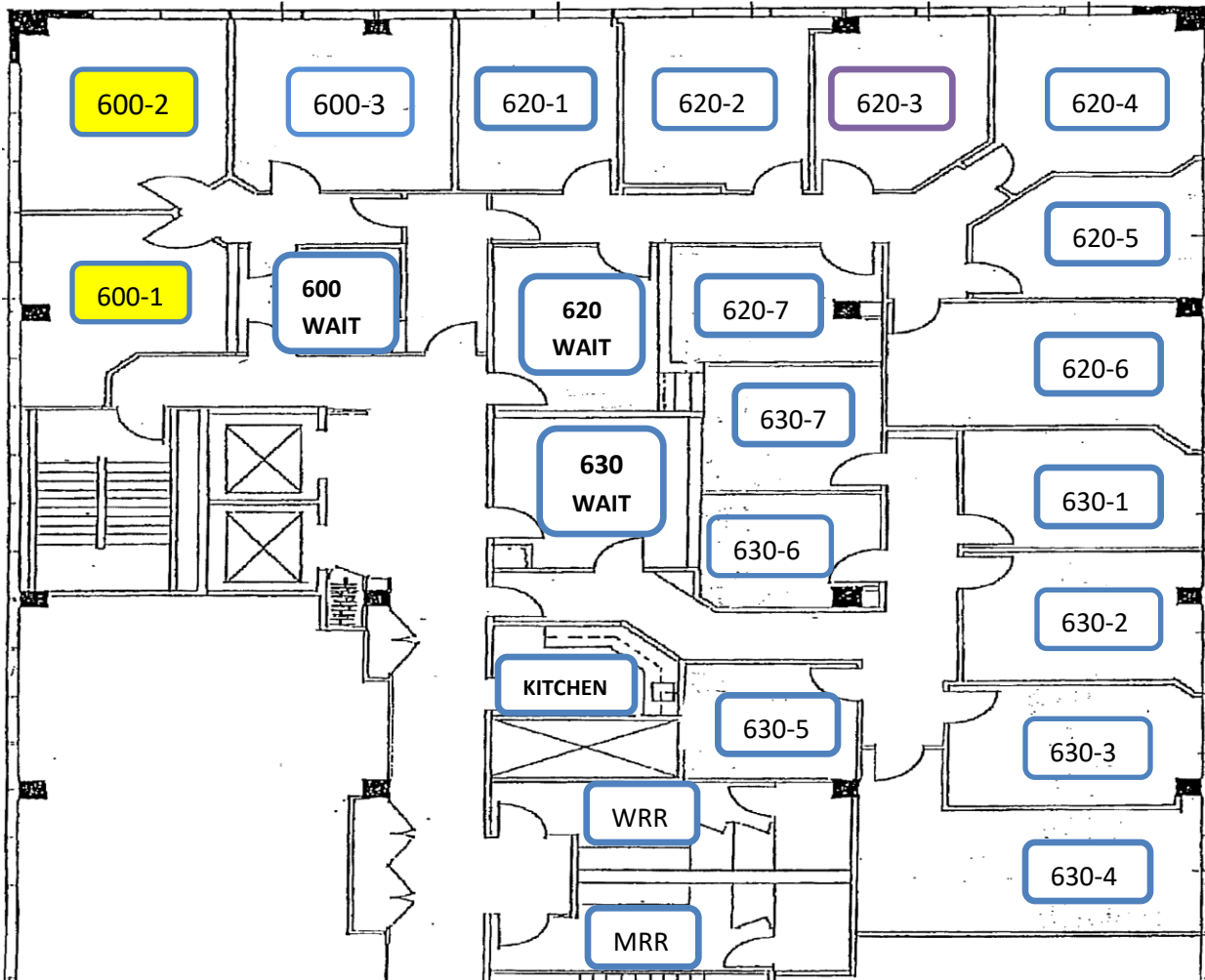


**2730 WILSHIRE BOULEVARD (AT HARVARD)  
SUITES 600, 620, 630  
SANTA MONICA, CALIFORNIA**



<b>2730 WILSHIRE BLVD, SUITES 600, 620, 630 AVAILABLE SUITES</b>	
<b>Suite and Office</b>	<b>Features and Amenities</b>
<b>600, Office 1</b>	<b>Bright west facing 200 sf office with views from Palos Verdes to Catalina Island to Point Dume. Alcove is perfect for your desk and files, leaving lots for room for groups. Available July 1, 2020.</b>
<b>600, Office 2</b>	<b>ONE OF A KIND OFFICE!!! Northwest corner office with 247 sf of space for large groups. Floor to ceiling windows with views from Palos Verdes to Catalina Island to Point Dume and the Santa Monica Mountains. Far and away the most prestigious and spectacular office in Santa Monica. Available July 1, 2020.</b>